



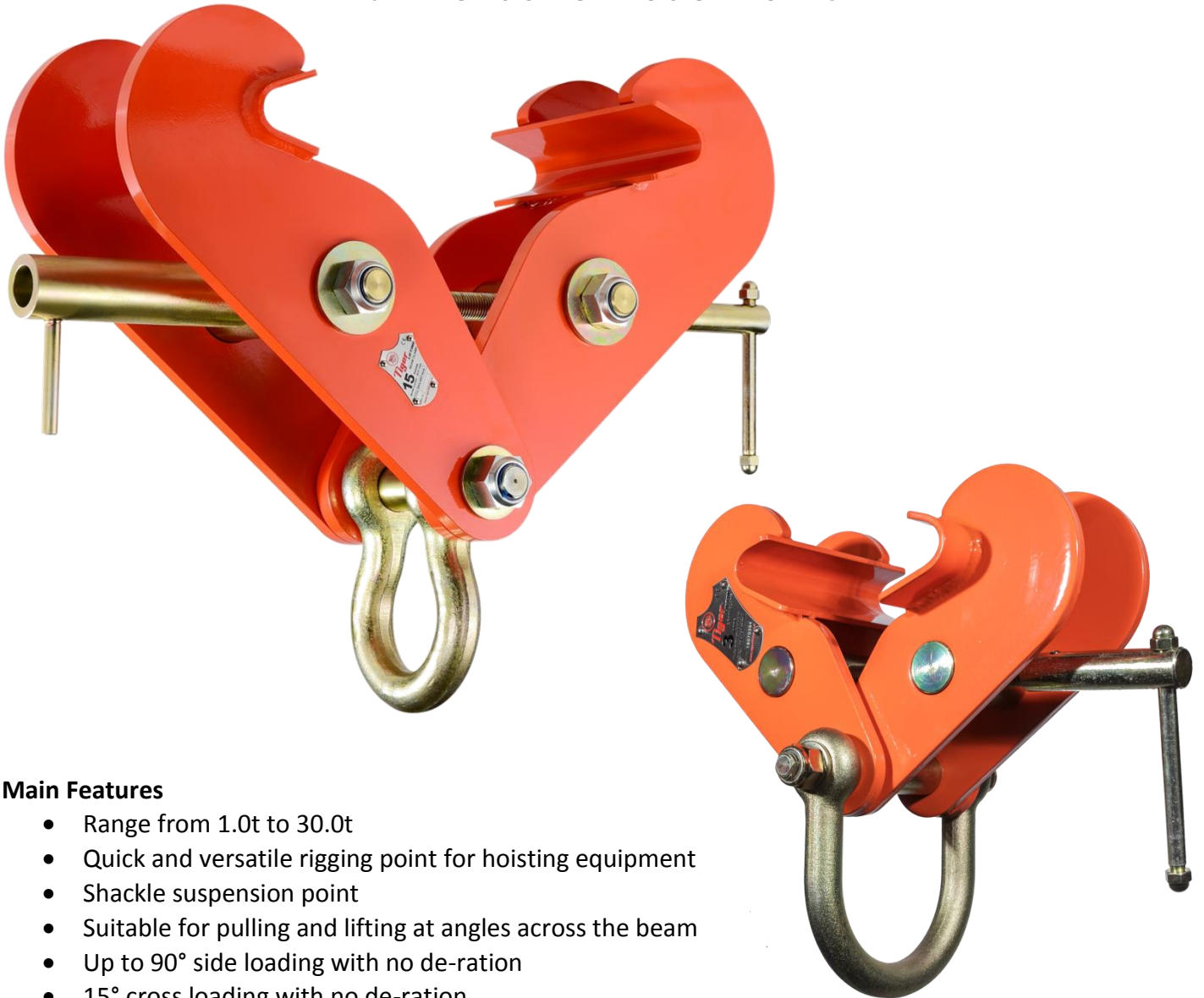
Tiger Lifting



www.tigerlifting.com

Home of the Tiger hoisting range & Tiger subsea lifting products

Tiger Fixed Jaw Heavy Duty Beam Clamp with D Shackle Model No BCF



Main Features

- Range from 1.0t to 30.0t
- Quick and versatile rigging point for hoisting equipment
- Shackle suspension point
- Suitable for pulling and lifting at angles across the beam
- Up to 90° side loading with no de-rating
- 15° cross loading with no de-rating
- Highly flexible – for lifting, pulling or as a semi-permanent anchor point
- Evenly distributed loads achieved through maximum jaw surface area
- Multidirectional adjusting screw spindle ensures a high clamping force to the various flange sizes within its capacity
- Beam width range 75mm to 457mm
- Operating temperature of -50°C to +50°C
- 4:1 factor of safety





Tiger Lifting



www.tigerlifting.com

Tiger

Home of the Tiger hoisting range & Tiger subsea lifting products

These units meet and exceed all the requirements within BS EN 13155:2003+A2:2009 and AS4991.

Certification:

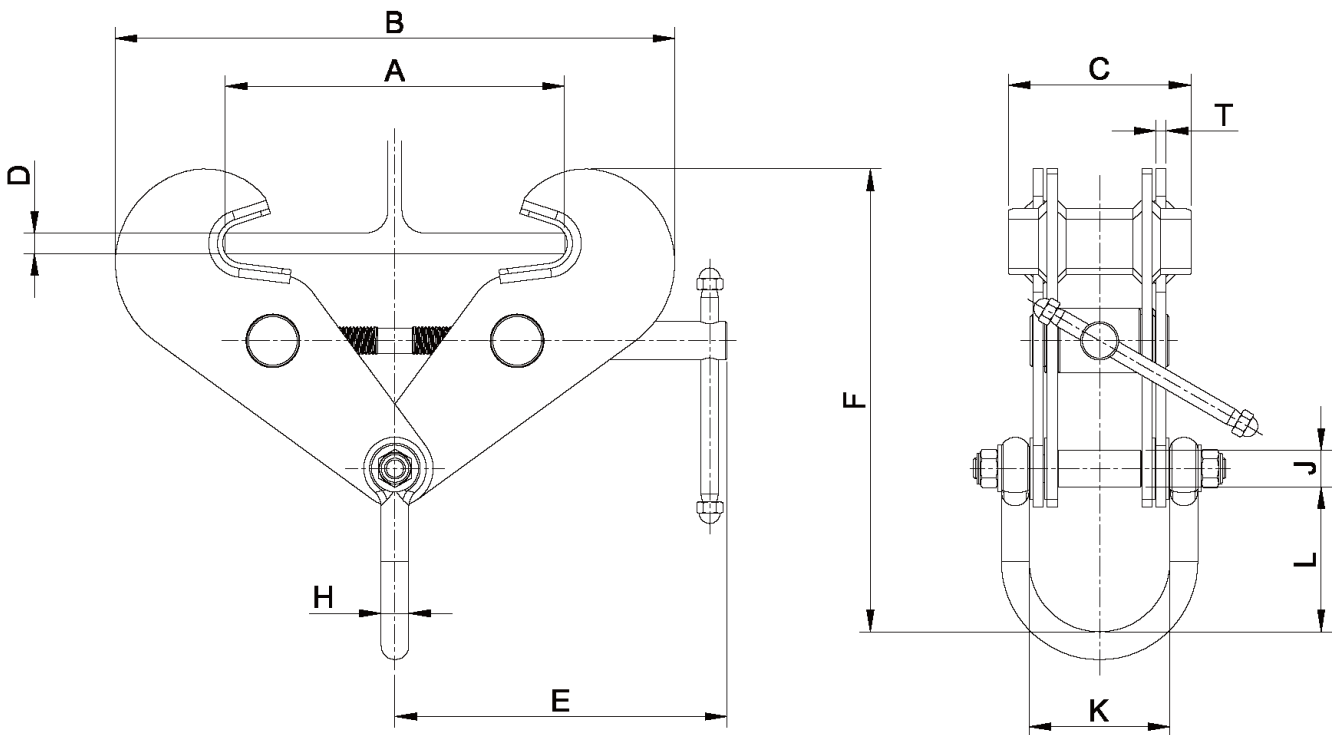
Each unit comes fully certified with a test certificate or an EC Declaration of Conformity stating compliance with the essential health and safety requirements of the Machinery Directive 2006/42/EC.

Technical Data

Product Code	Capacity (tonne)	Dimensions (mm)											Net Weight (kg)	
		A	B	C	D	E	F	H	ØJ	K	L	M		T
BCF-0100	1.0	75-195	206-321	105	20	190	300-266	16	Ø21	80	84		6	5.5
BCF-0200	2.0	75-195	206-321	105	20	190	311-276	18	Ø21	88	95		8	6.5
BCF-0300	3.0	100-350	223-476	140	25	270	418-344	22	Ø27	110	105		10	12.0
BCF-030S	3.0	75-190	216-325	140	20	190	310-271	22	Ø27	110	105		10	9.5
BCF-0500	5.0	100-310	223-438	140	25	286	424-368	27	Ø27	124	111		12	14.5
BCF-050S	5.0	75-190	216-325	140	20	190	315-276	27	Ø27	124	111		12	11.0
BCF-1000	10.0	120-350	282-511	210	30	314	460-389	32	Ø37	83	120		16	26.5
BCF-1500	15.0	203-457	463-742	250	36	416	644-558	38	Ø43.5	99	146	400	20	76.0
BCF-2000	20.0	203-457	471-766	300	50	416	697-609	45	Ø49	126	179	410	25	100.0
BCF-3000	30.0	203-457	483-800	390	63	416	742-648	50	Ø57	138	197	416	20	

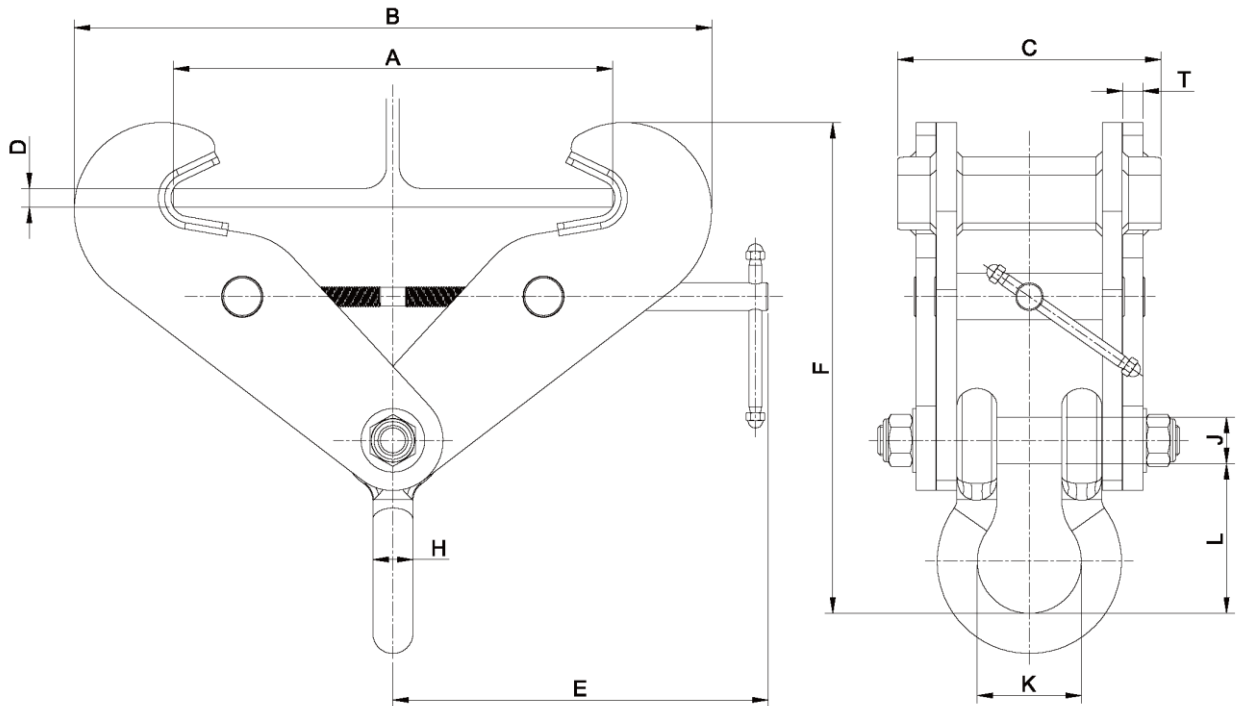
T=beam clamp side plate thickness
D=maximum beam flange thickness

Technical Drawing 1t - 5t

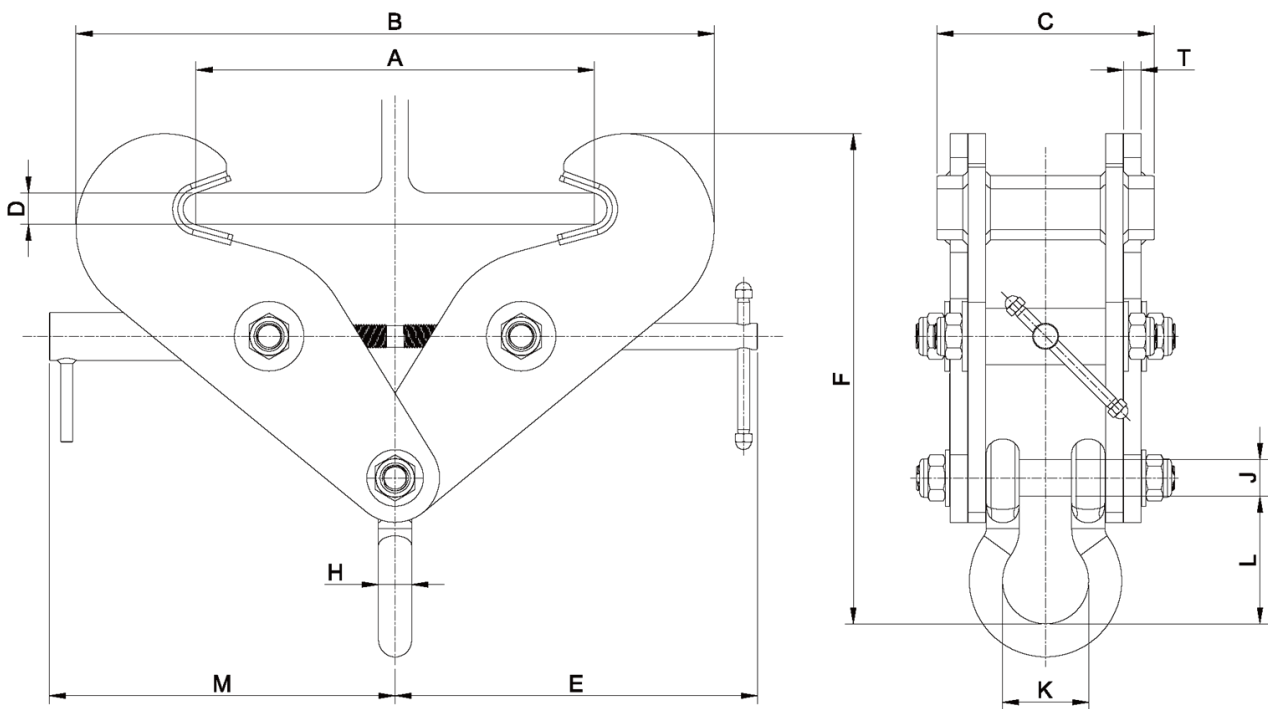




Technical Drawing 10t



Technical Drawing 15t and 20t





Tiger Lifting

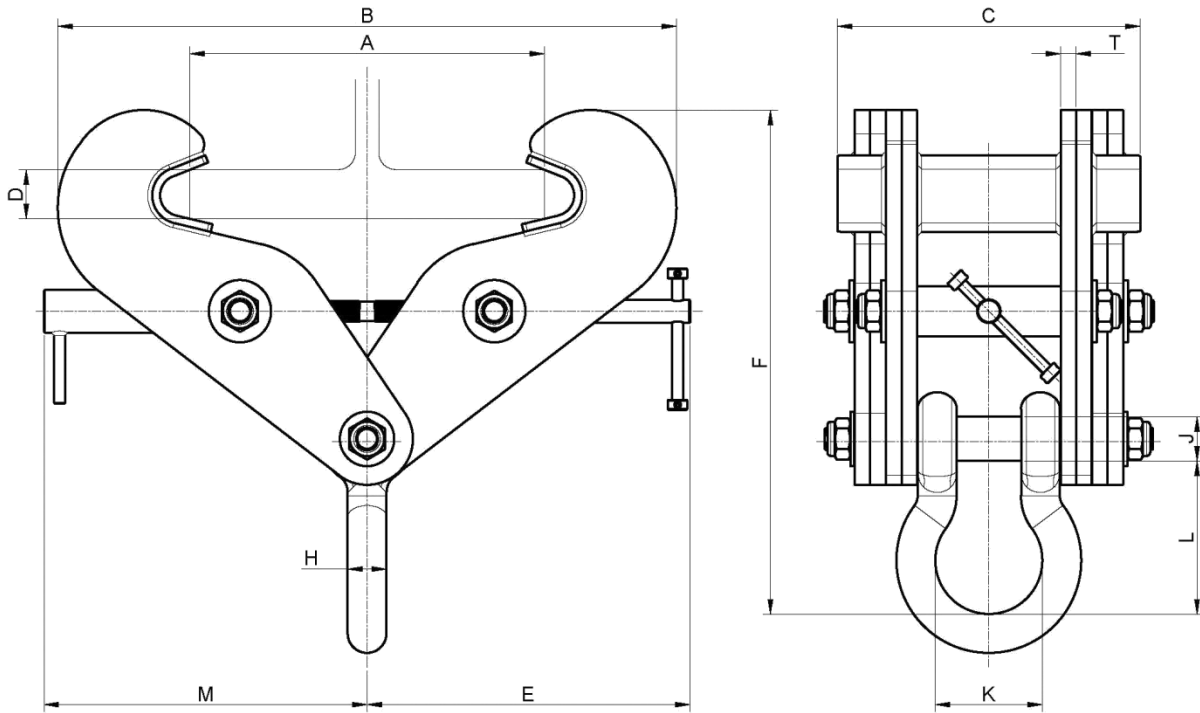


www.tigerlifting.com

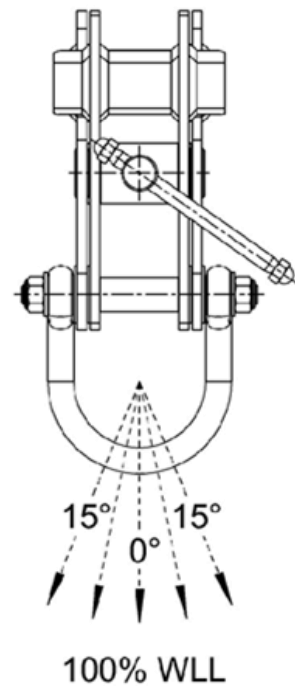
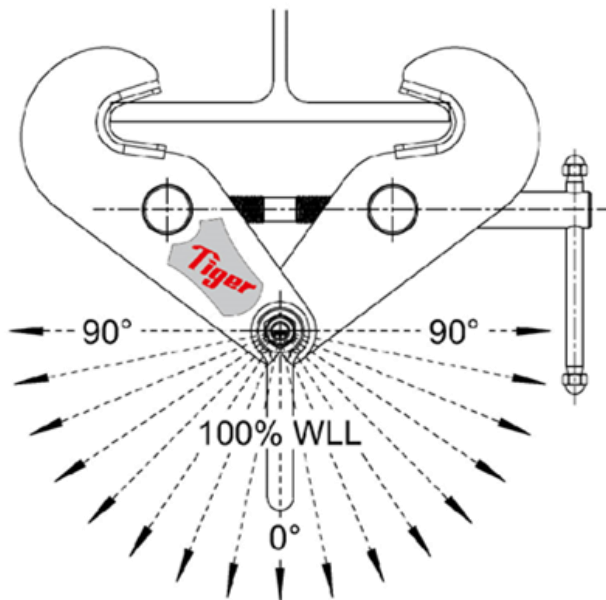
Tiger

Home of the Tiger hoisting range & Tiger subsea lifting products

Technical Drawing 30t



NO reduction in working load limits when side loads applied:





Tiger Lifting



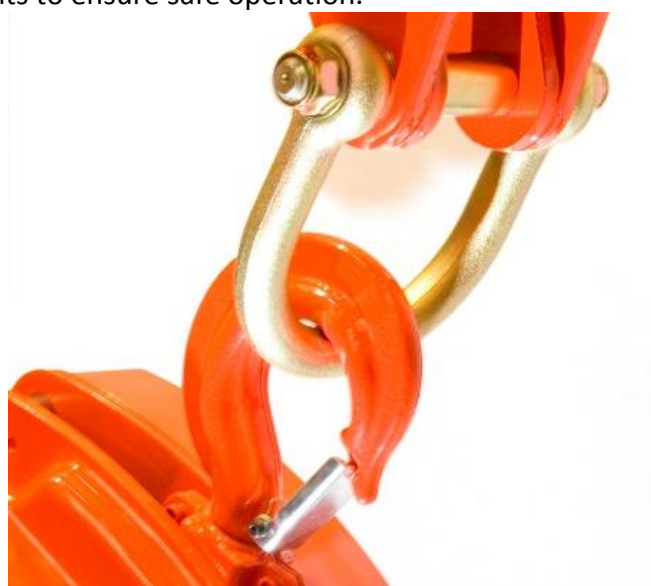
www.tigerlifting.com

Tiger

Home of the Tiger hoisting range & Tiger subsea lifting products

No deration up to 90° has been established for Tiger BCF model clamps and applies only for overhead beam attachments. It DOES NOT apply when used for lifting beams.

We advise that structural calculations are carried out on all beams and supporting steel work by qualified engineering departments to ensure safe operation.



Due to our policy of continual product development, dimensions, weights and specifications may change without prior notice. Please check with your Tiger sales team when ordering.

